

Polywater[®]

**hauff
technik**[®]

PHRD Rectangular Sealing Systems CUSTOM SEALS AND FLANGES

A Customized Solution to Meet Your Project's Specifications

Polywater | Hauff-Technik PHRD Rectangular Sealing Systems provide custom engineered solutions to meet your specified dimensions and performance needed to protect critical infrastructure and provide options for future path.

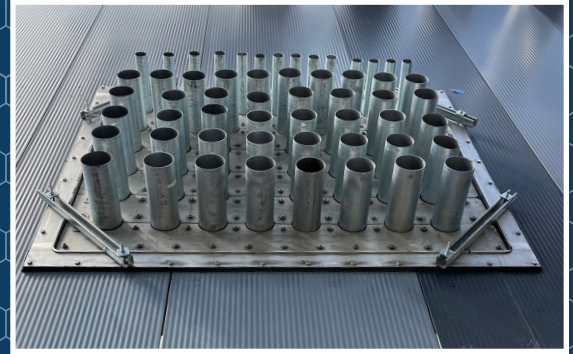
Sealing systems can be designed for openings:

- In precast concrete panels and poured walls.
- In metal panel walls and enclosures.
- To seal around pipes, power cables, control cables or bus bar of any diameter and quantity.
- Designed for any opening no matter the size or complexity.



support@polywater.com

polywater.com



Polywater | Hauff Technik

PHRD Rectangular Sealing Systems

Whether it's an electrical, plumbing HVAC or telecommunications project, plumbing, ensure water, moisture, dirt and gases are sealed out of your structure.

PHRD rectangular seals are an excellent option in environments with post installation movement, vibration, high water pressure, or where negative pressure must be maintained.

- **DURABLE**

Materials for flange and seal resist corrosive environments and rodent infestation.

- **SOLID DESIGN**

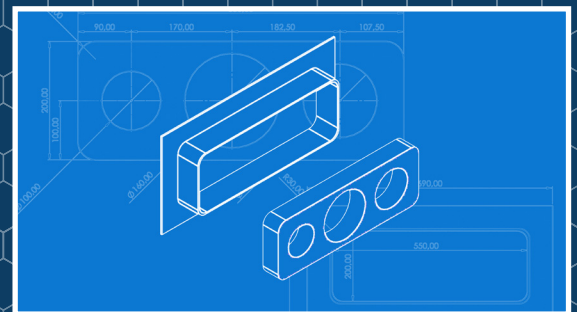
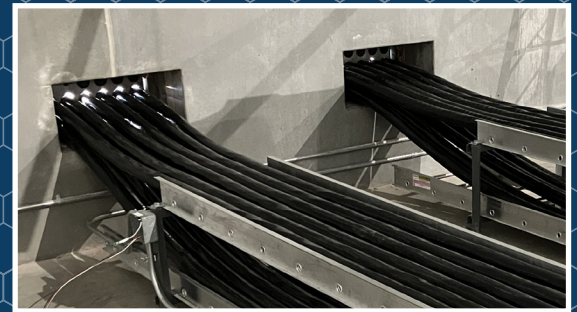
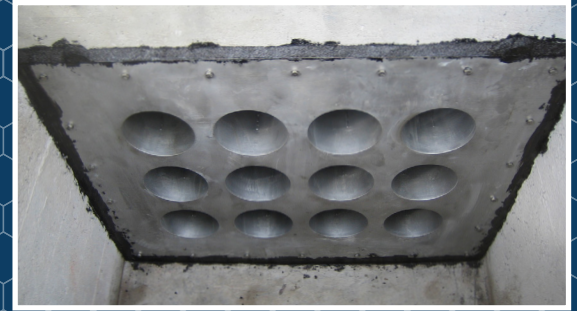
Each seal is constructed with two stainless steel pressure plates and stainless steel bolts and nuts. Stainless steel flanges are manufactured with continuous welding.

- **RELIABLE**

Gastight and watertight up to 36 psi (2.5 bar) performance. 5 year warranty.

- **EASY INSTALLATION**

Seal has a one-piece split design for new or installed cables/pipes. Flange can be solid or split design.



IMPORTANT NOTICE: The statements here are made in good faith based on tests and observations we believe to be reliable. However, the completeness and accuracy of the information is not guaranteed. Before using, the end-user should conduct whatever evaluations are necessary to determine that the product is suitable for the intended use. American Polywater expressly disclaims any implied warranties and conditions of merchantability and fitness for a particular purpose. American Polywater's only obligation shall be to replace such quantity of the product proven to be defective. Except for the replacement remedy, American Polywater shall not be liable for any loss, injury, or direct, indirect, or consequential damages resulting from a product's use, regardless of the legal theory asserted.

+1 651-430-2270 | +1 800-328-9384 Toll Free | +1 651-430-3634 Fax

Polywater[®]

American Polywater Corporation
11222 60th Street N.
Stillwater, MN 55082 USA

support@polywater.com

© 2024 American Polywater Corporation LIT-PHRDSYSTEMS/REV002

hauff
technik

polywater.com