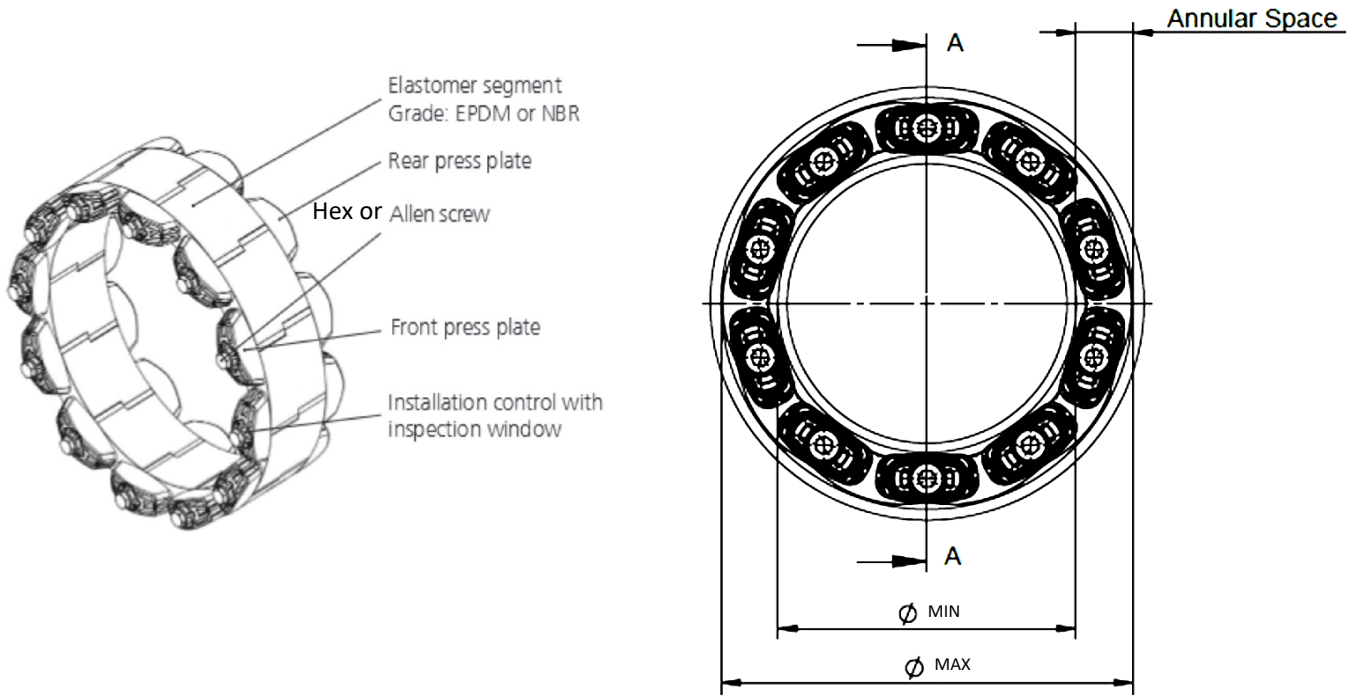


PGKD

Modular Link Seal with Visual Installation Indicator

- Integrated, visual installation control — no torque wrench required
- No retightening required
- Nuts molded into the pressure plates — no loose parts
- Gastight and watertight up to 72.50 PSI (5 bar)



Component	Material
Rubber	EPDM or Nitrile (NBR)
Pressure plates	Fiberglass reinforced Polyamide
Bolts/Nuts	316 Stainless Steel (A4)

SPECIFICATIONS AND APPLICATIONS:

- **Watertightness Testing:** Passed testing at 72 psi (5 bar) for 72 hours without water leakage.
- **Temperature Storage Range:** PGKD storage range is: 40°F to 85°F (5°C to 30°C).

Engineering Specification

Job Name _____ Contractor _____
 Job Location _____ Approval _____
 Engineer _____ Contractor P.O.No. _____
 Approval _____ Representative _____

Submittal Sheet

PGKD

Number of Links	Minimum Annular Space	Maximum Annular Space	Bolt Size	Required Wall thickness	PN
	0.5"	0.629"	Allen M5	3"	PGKD 200
	0.629"	0.787"	Allen M5	3"	PGKD 275
	0.728"	0.906"	Allen M8	4"	PGKD 300
	0.915"	1.024"	Allen M8	4"	PGKD 315
	0.945"	1.181"	Allen M8	4.33"	PGKD 325
	1.0"	1.33"	Allen M8	4.72"	PGKD 340
	1.437"	1.693"	Hex M10	6"	PGKD 400
	1.456"	1.9"	Hex M10	5.5"	PGKD 410
	1.142"	1.378"	Hex M10	5"	PGKD 425
	1.772"	2.047"	Hex M10	6"	PGKD 440
	1.626"	1.909"	Hex M10	6"	PGKD 475
	2.441"	2.815"	Hex M12	6.5"	PGKD 500
	2.283"	2.5"	Hex M12	6.5"	PGKD 525
	1.969"	2.283"	Hex M12	6.5"	PGKD 575
	3.543"	3.858"	Hex M16	8"	PGKD 615
	3.031"	3.307"	Hex M12	6.5"	PGKD 650

Project Specifications

11222 60th Street N Stillwater
 Minnesota 55082
 800-328-9384
 support@polywater.com

