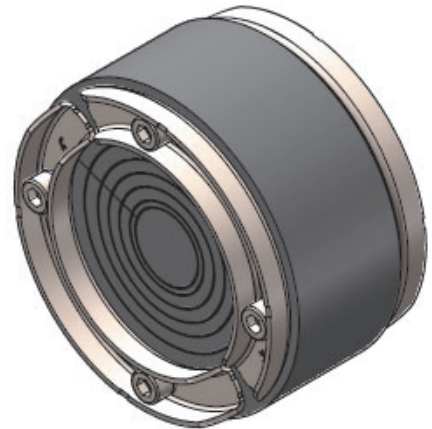
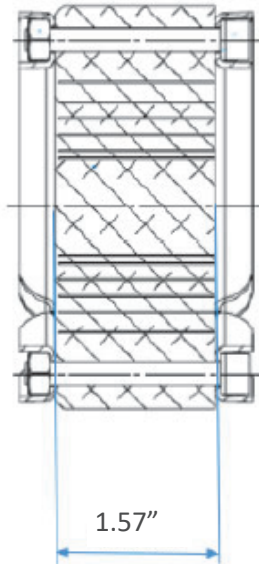
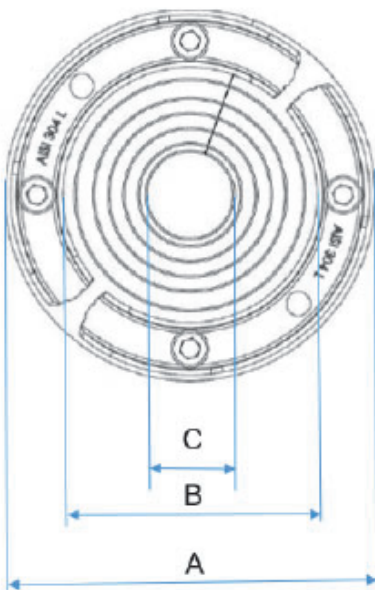


PHPS

Standard Mechanical Seals With Segmented Ring Technology for Pipes

- Segmented ring allows individual adjustments to accommodate pipe diameter on site
- Ideal for smaller pipes, or multiple pipe OD's covered with one seal
- Visual and tangible installation reliability due to built-in inspection opening



	Depth of Rubber	Depth of Pressure	Diameter A	Smallest opening	Largest opening
PHPS-3	1.57"	0.39"	3.03"	0.86"	1.65"
PHPS-4	1.57"	0.39"	3.94"	0.86"	2.36"
PHPS-5	1.57"	0.39"	4.92"	1.968"	3.54"
PHPS-6	1.57"	0.39"	5.91"	2.36"	4.48"

SPECIFICATIONS AND APPLICATIONS:.

- EPDM rubber and stainless steel pressure plates and bolts
- Watertight and gas tight
- **Temperature Storage Range:** 40°F to 85°F (5°C to 30°C).

Engineering Specification

Job Name _____ Contractor _____
Job Location _____ Approval _____
Engineer _____ Contractor P.O.No. _____
Approval _____ Representative _____

Submittal Sheet

PHPS

Cement-Coated Wall Sleeves for Pipes

Quantity	Trade Size*	Number of Openings	Number of	Size of Openings Tolerance : - 0.04"/+ 0.08"	PN
	3	1	4	0.5"/ 0.625"/0.866"/ 1.02"/1.33"/1.65"	PHPS-3
	4	1	6	0.866"/ 1.02"/1.33"/1.65"/1.968"/2.36"	PHPS-4
	5	1	4	1.968"/2.36"/2.91"/3.54"	PHPS-5
	6	1	4	2.36"/2.91"/3.54"/4.48"	PHPS-6

Project Specifications

11222 60th Street N Stillwater
Minnesota 55082
800-328-9384
support@polywater.com

